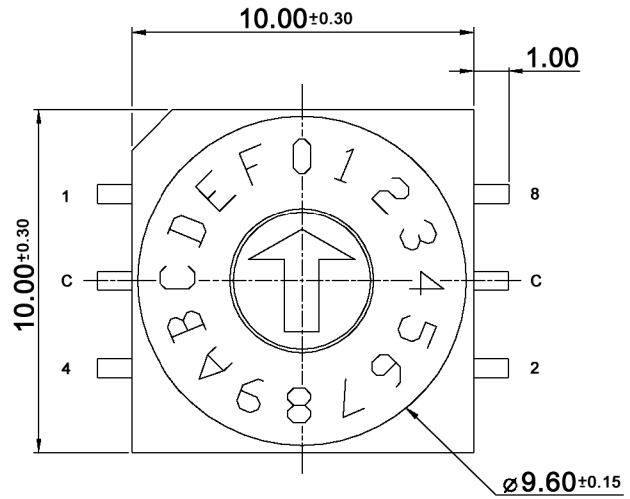


coplanarity failure +/-0.05mm max.

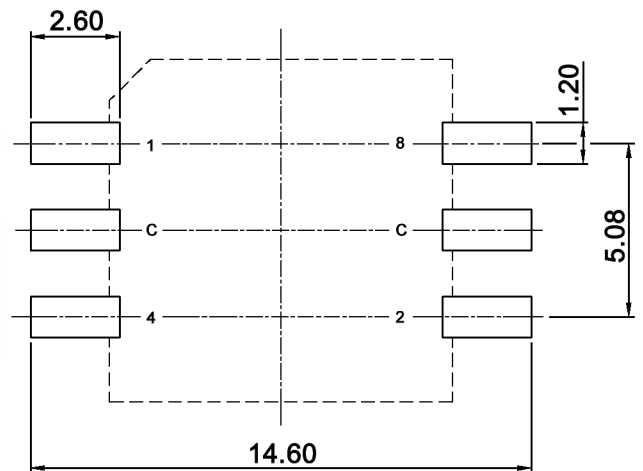


Hexadecimal

	Real coded			
	1	2	4	8
0				
1	●			
2		●		
3	●	●		
4			●	
5	●		●	
6		●	●	
7	●	●	●	
8				●
9	●			●
A		●	●	
B	●	●	●	
C			●	●
D	●		●	●
E		●	●	●
F	●	●	●	●

16 positions

P.C.B. DIMENSION



Compliance: RohS III (2015/863/EU)

Tolerances:			Date	Name
Material	02/21	dr	01/08	dr
JEDEC-ST 020 D	01/19	dr		
Contact rating	08/14	dr		
Temperatures	12/12	dr		
Tolerances	03/12	dr		
IP rating	07/09	dr		
Operating temperature	11/08	dr		
Coplanarity failure	08/08	dr		
Packaging	07/08	dr		
Modifications	Date	Name		

**SMR 60016 (T)**

**knitter-switch**

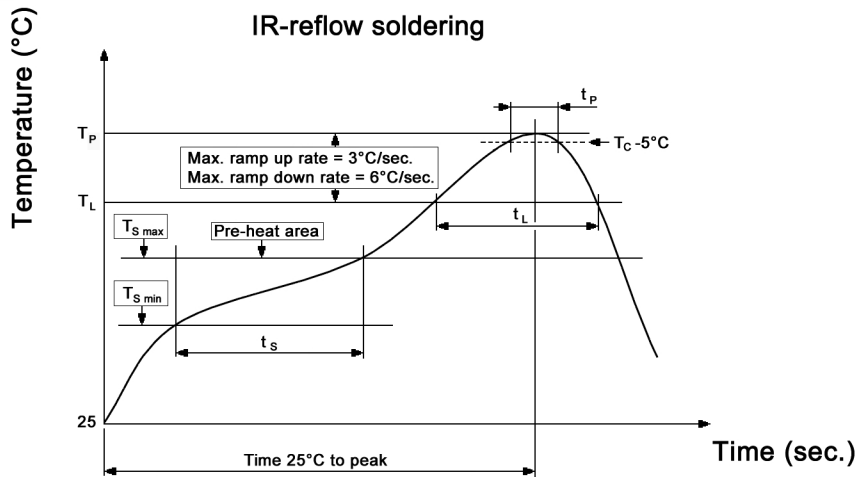
**30 13 63**

Page

1/3

**Specifications:**

**Contact rating:** non-switching: 200mA, 42V  
 switching: 150mA, 42V  
**Contact resistance:** 80mOhm max.  
**Insulation resistance:** 100MOhm min. at 250V DC for 1 minute +/-5sec.  
**Dielectric strength:** 250V AC (50/60Hz) for 1 minute  
**Operating temperature:** -60°C to +125°C  
**Storage temperature:** -60°C to +125°C  
**Mechanical life:** 10 000 cycles  
**Operating force:** 700gf/cm max.  
**Material:** Cover / base: LCP, gray  
 Actuator: PA66, white  
 Contact / terminal: phosphor bronze, 0.07µ min. gold plated  
 over 0.1µ min. nickel  
 PCB: epoxy seal, 0.05µ min. gold plated  
 O-ring: silicone, black  
**IP rating:** IP67  
**Soldering conditions:**

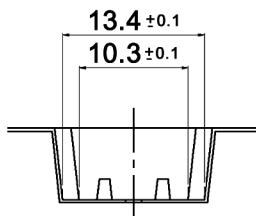
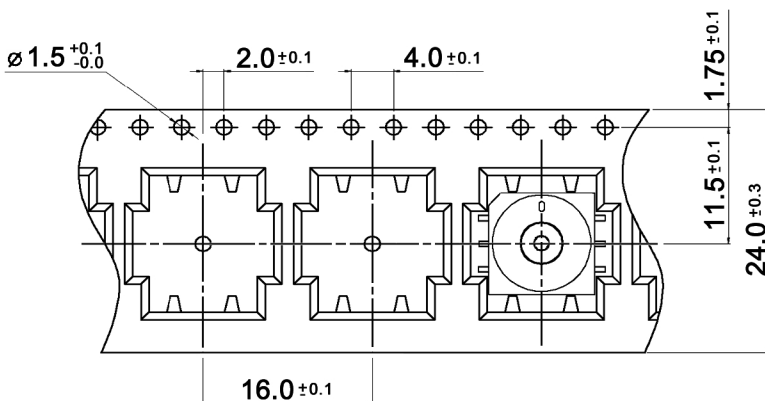
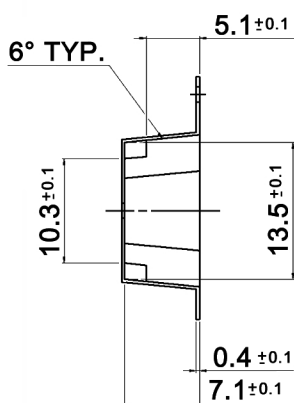
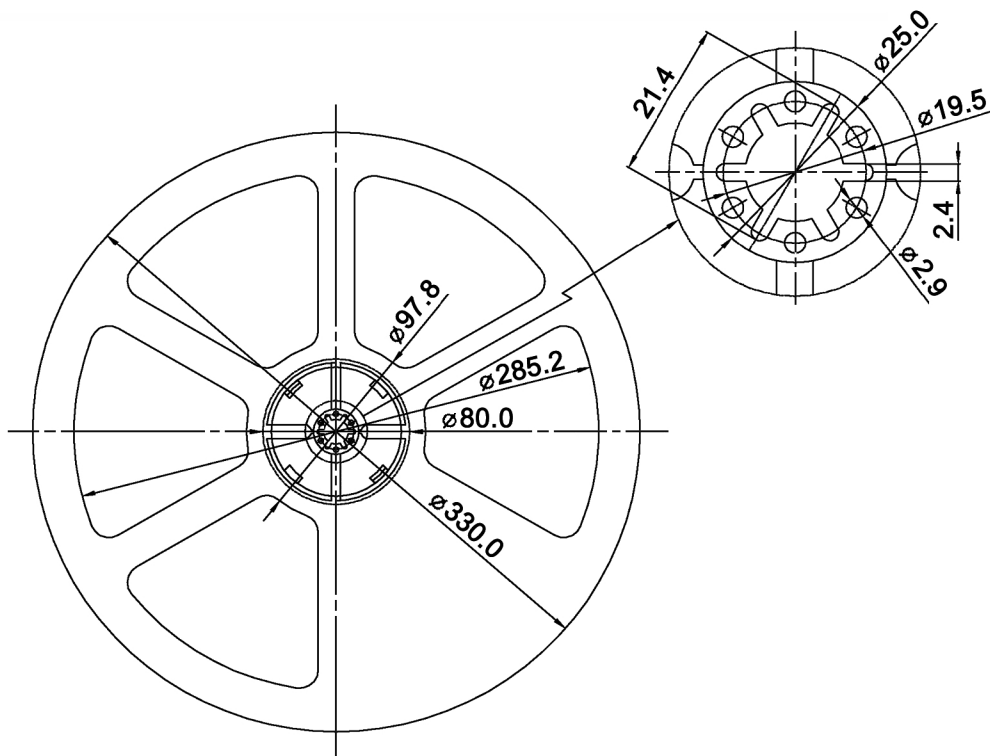
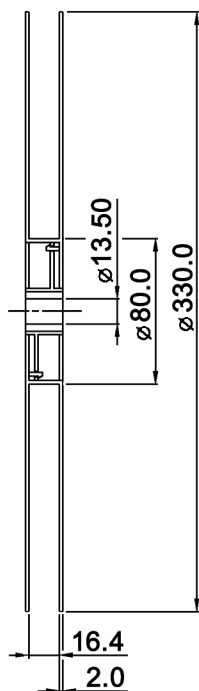


$T_p = 260^\circ\text{C}$   
 $t_p = 10\text{sec. max.}$   
 $T_L = 217^\circ\text{C}$   
 $t_L = 90\text{sec. max.}$   
 $T_{S\ max} = 200^\circ\text{C}$   
 $T_{S\ min} = 150^\circ\text{C}$   
 $t_s = 120\text{sec. max.}$

**Compliance: RohS III (2015/863/EU)**

Tolerances:			Date	Name	<h1>SMR 60016 (T)</h1>	
Material	02/21	dr	01/08	dr		
JEDEC-ST 020 D	01/19	dr				
Contact rating	08/14	dr				
Temperatures	12/12	dr				
Tolerances	03/12	dr				
IP rating	07/09	dr				
Operating temperature	11/08	dr				
Coplanarity failure	08/08	dr	<b>knitter-switch</b>		<h2>30 13 63</h2>	Page
Packaging	07/08	dr				2/3
Modifications	Date	Name				

Packaging:



Ordering code	Packaging
SMR 60016	50 pcs / tube
SMR 60016 T	600 pcs / reel

Compliance: RohS III (2015/863/EU)

Tolerances:			Date	Name
Material	02/21	dr	01/08	dr
JEDEC-ST 020 D	01/19	dr		
Contact rating	08/14	dr		
Temperatures	12/12	dr		
Tolerances	03/12	dr		
IP rating	07/09	dr		
Operating temperature	11/08	dr		
Coplanarity failure	08/08	dr		
Packaging	07/08	dr		
Modifications	Date	Name		

# SMR 60016 (T)

**knitter-switch**

**30 13 63**

Page

3/3